

PIPE DIAMETER IN.	DIMENSIONS					
	A	B	C	E	F	G
12	2'-6"	1'-6"	0'-9"	1'-6"	2'-0"	1'-6"
18	3'-9"	2'-0"	1'-2"	2'-3"	3'-0"	2'-1"
24	5'-0"	2'-6"	1'-6"	3'-0"	4'-0"	2'-8"
30	6'-3"	3'-0"	1'-11"	3'-9"	5'-0"	3'-3"
36	7'-6"	3'-6"	2'-3"	4'-6"	6'-0"	3'-10"

PIPE DIAMETER IN.	CONCRETE	REINFORCED STEEL
	CU. YDS.	LBS.
12	0.62	55
18	1.17	88
24	1.92	146
30	2.72	203
36	3.74	275

GENERAL NOTES

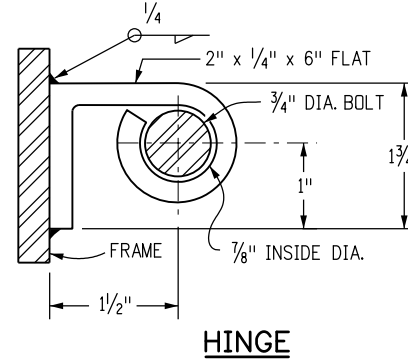
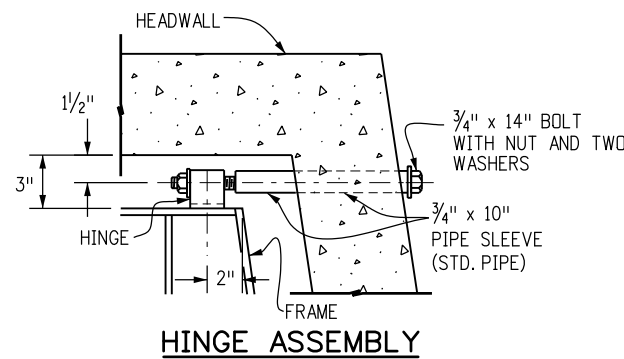
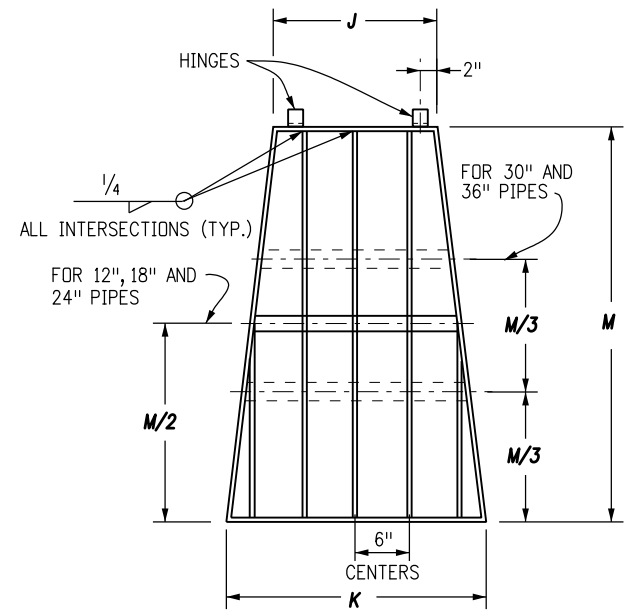
- SIPHON DRAIN, VALVE AND VALVE BOX, AND TRASH GUARDS ARE TO BE PROVIDED ONLY WHEN CALLED FOR ON THE PLANS.
- CONCRETE SHALL BE CLASS B.
- ALL EXPOSED CONCRETE CORNERS SHALL BE CHAMFERED 3/4 IN.
- THE LOCATION, SIZE, PIPE MATERIAL AND GOVERNING DIMENSIONS OF SIPHONS WILL BE SHOWN ON THE PLANS.
- TO DETERMINE WALL THICKNESS OR CLASS FOR SIPHON PIPE, SEE APPROPRIATE TABLES ON STANDARD PLAN M-603-2.
- COST OF JOINT SEALERS, GASKETS, FITTINGS AND CONNECTIONS SHALL BE INCLUDED IN THE BID PRICE FOR SIPHON PIPE.
- TRASH GUARDS AND APPURTENANCES SHALL BE GALVANIZED IN CONFORMANCE WITH AASHTO M 111.

PLAN VIEW

HEADWALL DIMENSIONS

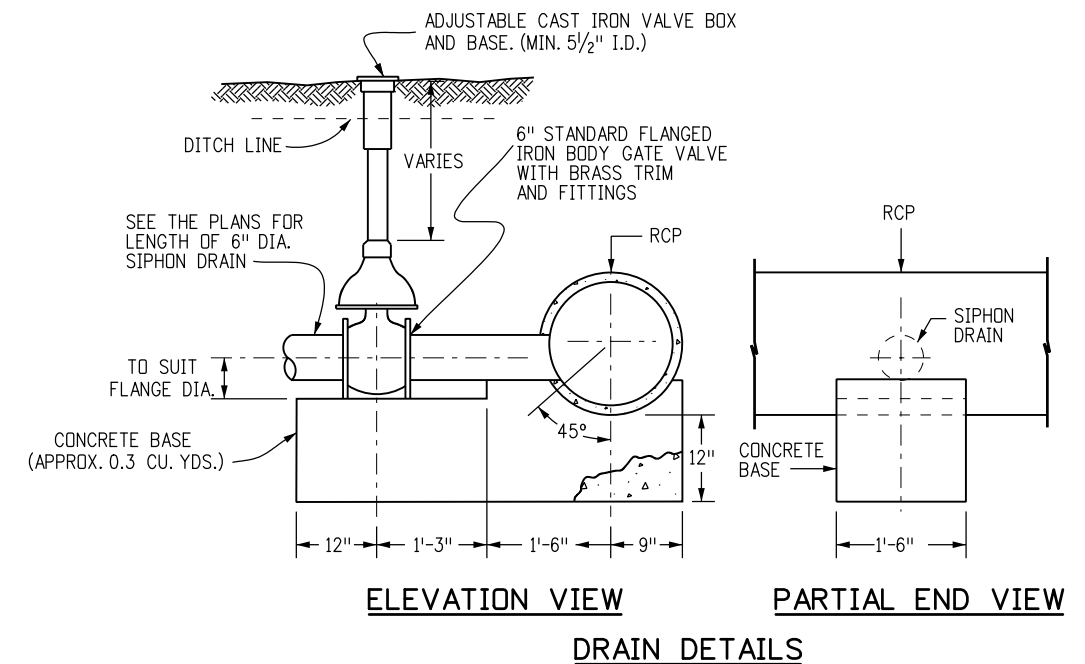
HEADWALL QUANTITIES

QUANTITIES FOR ONE HEADWALL AFTER DEDUCTION FOR PIPE.



PIPE DIAMETER INCHES	BAR AND BRACE SIZE	NO. OF BRACES EACH	DIMENSIONS			WEIGHT LBS.
			J	K	M	
12	3/8" x 2"	1	1'-0"	1'-6"	2'-6"	35.1
18	3/8" x 2"	1	1'-7"	2'-6"	3'-10"	74.4
24	3/8" x 2"	1	2'-2"	3'-6"	5'-2"	120.5
30	3/8" x 2 1/2"	2	2'-9"	4'-6"	6'-6"	235.9
36	3/8" x 2 1/2"	2	3'-4"	5'-6"	7'-10"	317.6

TRASH GUARD DIMENSIONS AND QUANTITIES



Computer File Information

Creation Date: 07/04/12 Initials: DD
 Last Modification Date: 07/04/12 Initials: LTA
 Full Path: www.coloradodot.info/business/designsupport
 Drawing File Name: 616010101.dgn
 CAD Ver.: MicroStation V8 Scale: Not to Scale Units: English

Sheet Revisions

Date:	Comments:
(R-X)	
(R-X)	
(R-X)	
(R-X)	

Colorado Department of Transportation

4201 East Arkansas Avenue
 Denver, Colorado 80222
 Phone: (303) 757-9083
 Fax: (303) 757-9820

Project Development Branch DD/LTA

INVERTED SIPHON

Issued By: Project Development Branch July 4, 2012

STANDARD PLAN NO.

M-616-1

Sheet No. 1 of 1